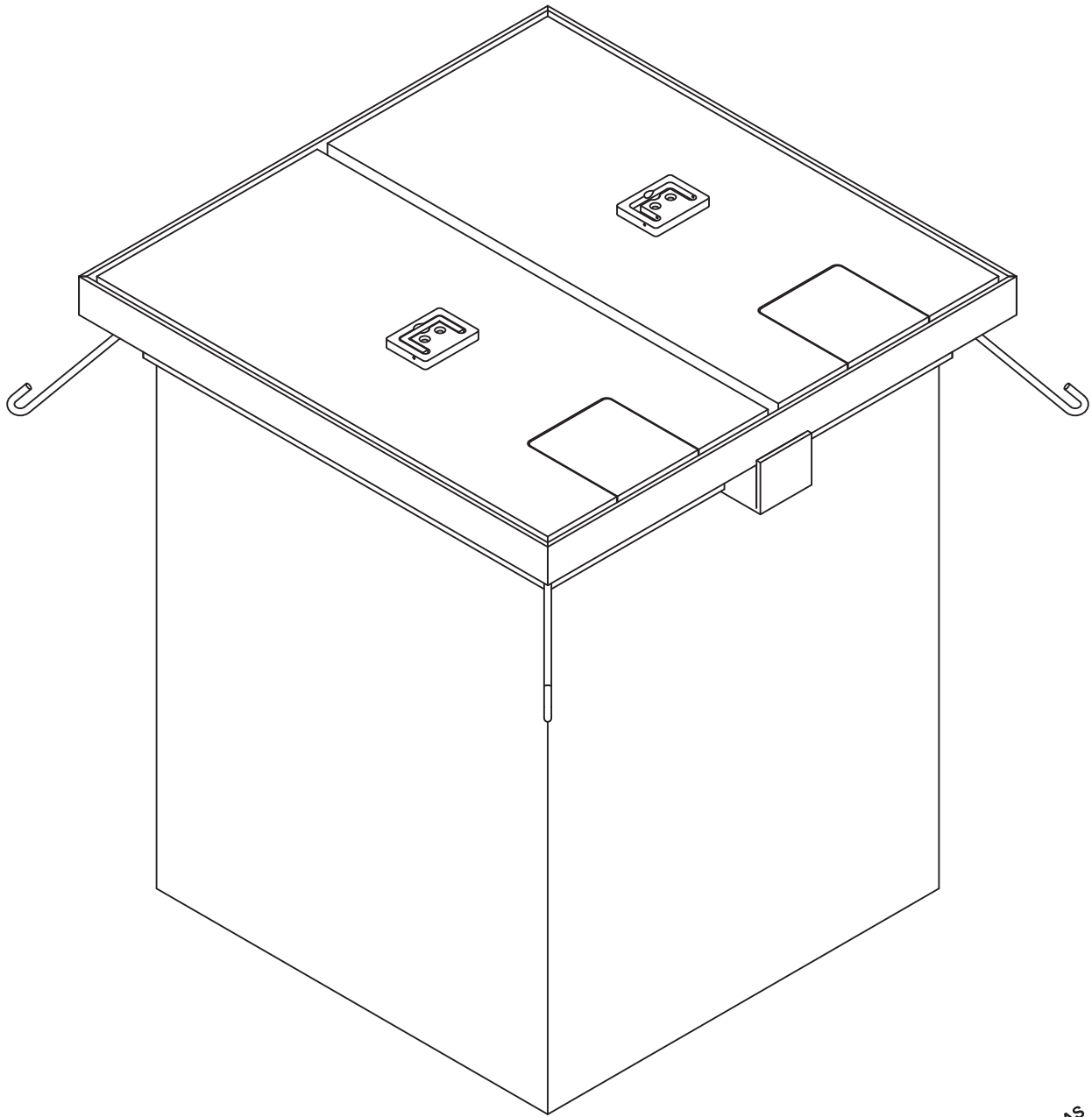


4Wall Entertainment Floor Box

The Finest Convention and Arena Power Utility Boxes



4Wall Entertainment Floor Box

FEATURES & SPECIFICATIONS

FRAME The frame is constructed from stainless steel. It is notched on opposite sides to allow the insertion of a center support beam. This beam is removable and easily replaceable without the need for special tools.

The frame is supplied with 4 stainless J-bolts welded in place.

ENCLASURE The enclosure is constructed from stainless steel or PVC and is resistant to corrosion.

The inside of the enclosure has welded partitions between the high voltage and low voltage sections of the box.

The cover assembly consists of three parts: a seamless gasket plate and two aluminum lids.

COVER The seamless gasket plate is supplied with a one-piece gasket on each side.

The two covers are constructed from 1" 6061 T6 Aluminum plate.

Each cover has one cable access door. The cable access doors slide off and allow for the covers to be in place while the box is in use.

DEVICE PANELS All device sub panels are constructed from 16-gauge stainless steel, with powder coating available as an option. Devices are appropriately labeled by silkscreen fill or the use of engraved labels.

The device plates are positioned so the two covers may fully close while the box is in use.

All electrical devices are supplied with dust and moisture resistant flip covers. Device flip covers will not interfere with the replacement of the floor box cover when the box is in use.

All device panels and sub panels are laser cut so there are no sharp or jagged edges.

DEVICES The following devices may be installed on the device sub-panels. This list is typical but not comprehensive. Placement and components counts will be coordinated with the manufacturer, 4Wall Entertainment.

Electrical

100 Amp Pin & Sleeve
60 Amp Pin & Sleeve
30 Amp Twist Lock
208V 20 Amp L6-20 Twist Lock Receptacle
37 Pin Pyle National Receptacle
19 Pin Socapex
120V L5-20 Twist Lock Receptacle
Duplex Receptacle (Edison)
Duplex GFI Receptacle
2P & G Receptacle (Stage Pin)
Circuit Breakers

Audio

3 Pin Male XLR
3 Pin Female XLR
RCA 1/4"
TRS
Speakon connector
x Pin Din Connector
x Pin Veam Connector
x Pin EDAC Connector

(x = number of pins being requested)

Video

BNC connector
Triax connector
SMA connector
Type F connector

Communications

RJ11
RJ45
ST Fiber
SC Fiber
DBx Female
DBx Male
5 Pin XLR Female DMX
5 Pin XLR Male DMX
Centronics x Female
Centronics x Male

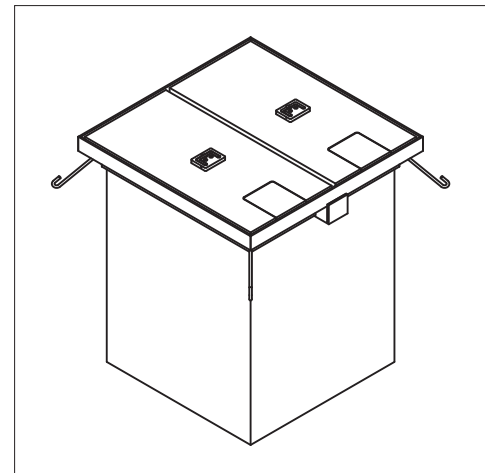


Figure 1: 4Box Assembly

4Wall Entertainment Floor Box

FEATURES & SPECIFICATIONS

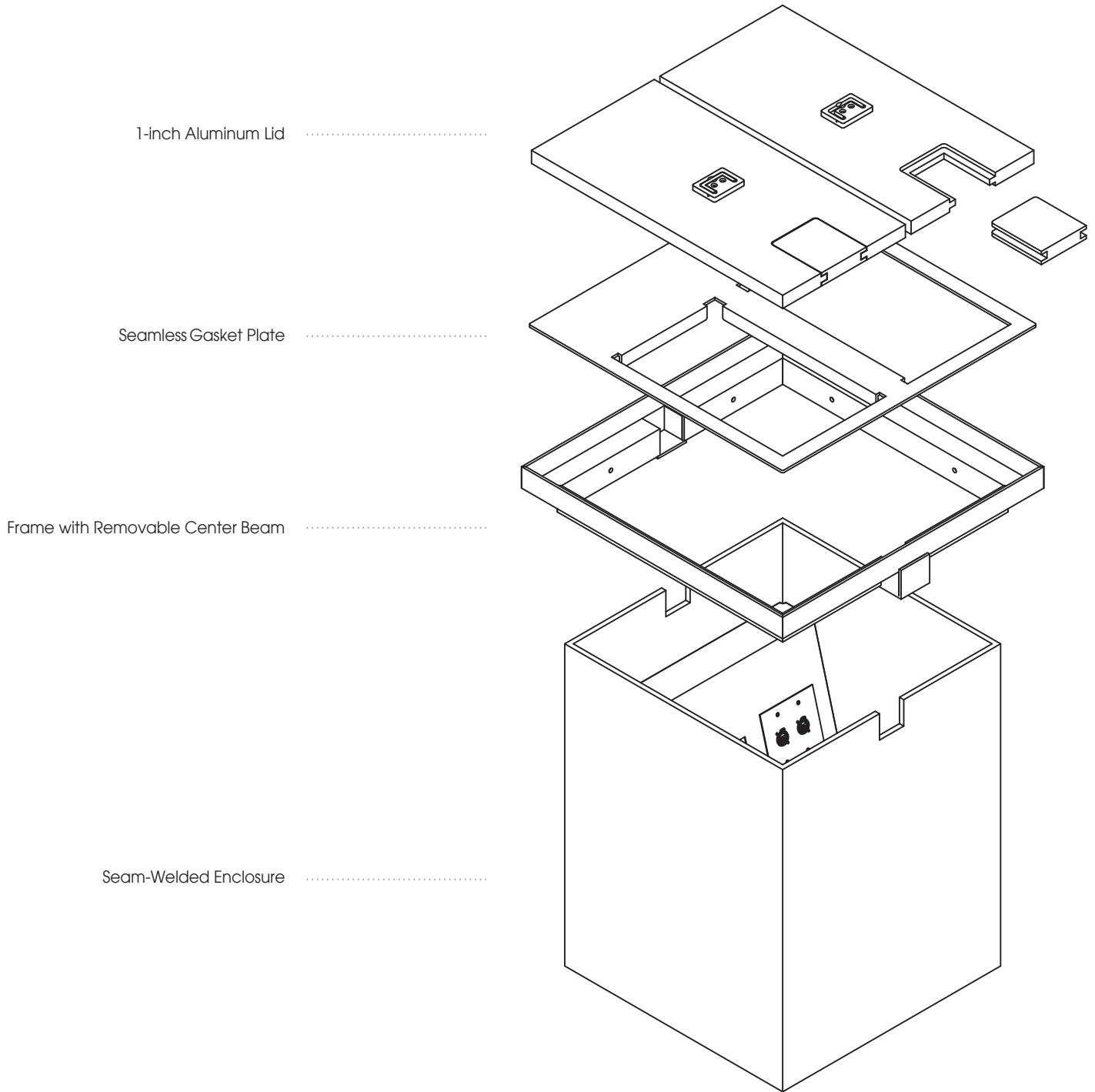
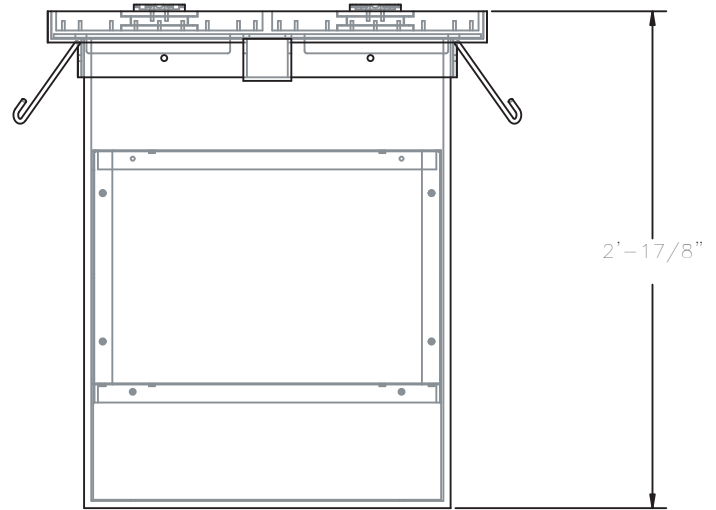
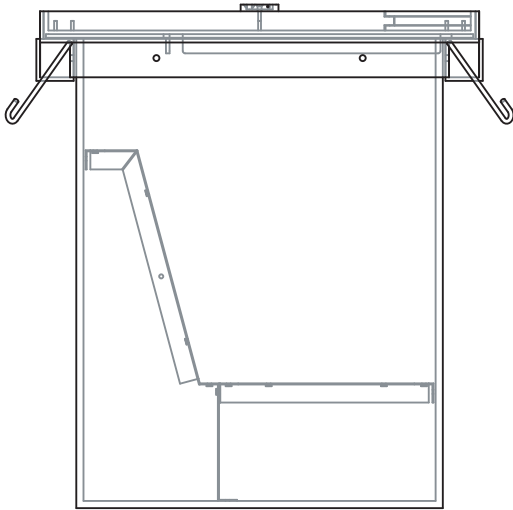


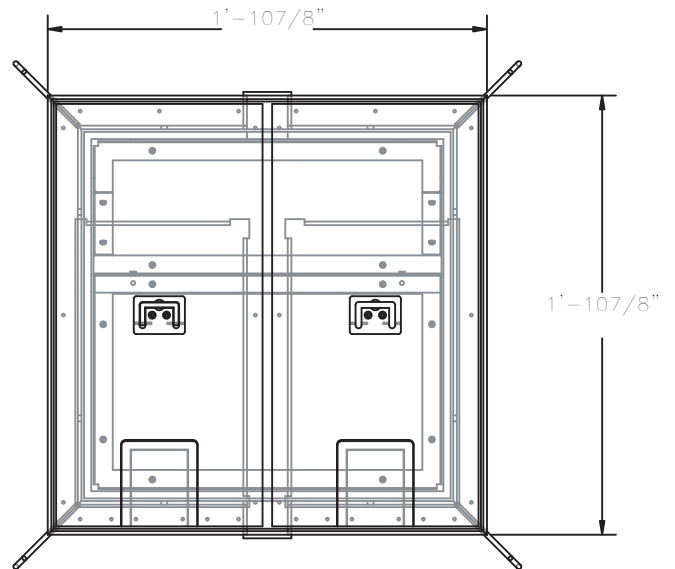
Figure 2: 4Box Assembly (Exploded View)

4Wall Entertainment Floor Box

DIMENSIONS



	HEIGHT	DEPTH	WIDTH
Overall	2'-1 7/8" (25.875")	1'-10 7/8" (22.875")	1'-10 7/8" (22.875")
Enclosure	2'-0 7/16" (24.4375")	1'-7 1/16" (19.0625")	1'-7 1/16" (19.0625")



4Wall Entertainment Lighting

West ■ 3325 W Sunset Rd Ste F Las Vegas, NV 89118 ■ Tel: (702) 263-3858 ■ Fax: (702) 263-3858

East ■ 75 State St Moonachie, NJ 07074 ■ Tel: (201) 329-9878 ■ Fax: (201) 329-9890

Web ■ www.4wall.com ■ **Email** ■ info@4wall.com

Copyright © 2004 4Wall Entertainment Lighting, Inc. All rights reserved. All product information and specifications subject to change.